

BREATHER VALVE Section 1.1**1 PRESSURE VACUUM RELIEF VALVE VENT TO ATMOSPHERE****KSBB/BS TYPE PRESSURE VACUUM RELIEF VALVE**

* FACTORY MUTUAL APPROVED PRODUCT.



The model KSBB and KSBS pressure vacuum valves are an advanced design for vent to atmosphere applications. Designed manufactured and tested according to the API 2000 code, these valves utilize the latest technologies to provide protection against positive or vacuum over pressure and prevent air intake, evaporative losses of product and help to contain odorous and potentially explosive vapours.

■ Introduction ■

These pressure vacuum valves maintain a tight seal until system pressure or vacuum exceeds the set pressure.

The valves allow an intake of air under constant pressure during emptying, or discharge excessive over pressure during filling of the tanks.

The KSBB is a weighted pallet model designed to handle pressure and vacuum with a minimum pressure of +/-20mmW.C and a maximum setting of +/- 700mmW.C

The KSBS is a spring loaded model designed to handle pressure and vacuum with a minimum pressure of +/-700mmW.C and a maximum setting of +/- 7,000mmW.C.

High strength, one-body casting provide added structural integrity and durability.

Body materials are available in Aluminum, Carbon Steel, 304SS and 316SS with various trims to suit individual requirements.

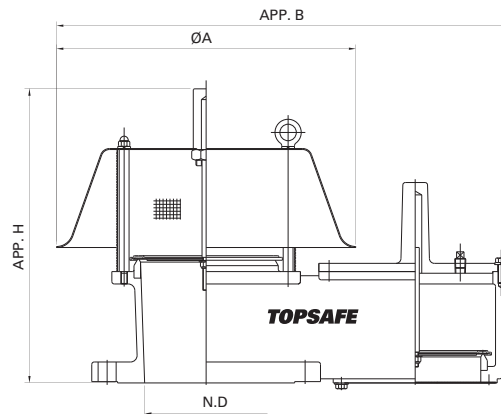
Sizes range from 50mm through to 300mm with ANSI 150lb FF flanges as standard. (Different connections available on request).

The valves have additional FM factory mutual approval for the majority of sizes and materials.

BREATHER VALVE Section 1.1

1 PRESSURE VACUUM RELIEF VALVE VENT TO ATMOSPHERE

KSBB/BS TYPE PRESSURE VACUUM RELIEF VALVE



KSBB Weight Loaded Type

For high pressure setting, **KSBS** Type Spring Loaded Valve are available on request.

Dimension Table

Unit = mm

SIZE	2"	3"	4"	6"	8"	10"	12"
D.N	50	80	100	150	200	250	300
ØA	210	260	280	365	450	520	590
APP.B	310	393	443	563	691	800	925
APP.H	202	256	276	355	445	526	613

NOTES : Standard Connection : ANSI 150LB FF flange, JIS or different sizes available on request.

Materials of Construction

ITEM NO.	COMPONENT	BODY	ALUMINUM	C.S	304 S.S	316S.S
		TRIM	304 S.S	304 S.S	304S.S	316 S.S
1	BODY		ALUMINIUM	C.S	304 S.S	316 S.S
2	SEAT		304 S.S	304 S.S	304 S.S	316 S.S
3	GUIDE POST		304 S.S	304 S.S	304 S.S	304 S.S
4	VACUUM SCREEN		304 S.S	304 S.S	304 S.S	304 S.S
5	PRESSURE SCREEN		304 S.S	304 S.S	304 S.S	304 S.S
6	COVER		ALUMINIUM	C.S	304 S.S	316 S.S
7	HOOD			EGI		304 S.S
8	BOLT/NUT		304 S.S	304 S.S	304 S.S	304 S.S
9	CAP NUT		304 S.S	304 S.S	304 S.S	304 S.S
10	PALLET ASSEMBLY		304 S.S	304 S.S	304 S.S	316 S.S
	DIAPHRAGM	TEFLON				
	PALLET WEIGHT	LEAD				
11	STEAM		304 S.S	304 S.S	304 S.S	316 S.S

TOPSAFE CO., LTD.

ISO 9001 Registered

#368-3, Yangdong-ri, Juchon-myeon, Gimhae-si,
Gyeongsangnam-do, 621-842, Korea
Tel.+82-(0)55-338-9986 Fax.+82-(0)55-338-9987
E-mail: topsafe@topsafe.co.kr www.topsafe.co.kr

Service station • Agent / Distributor